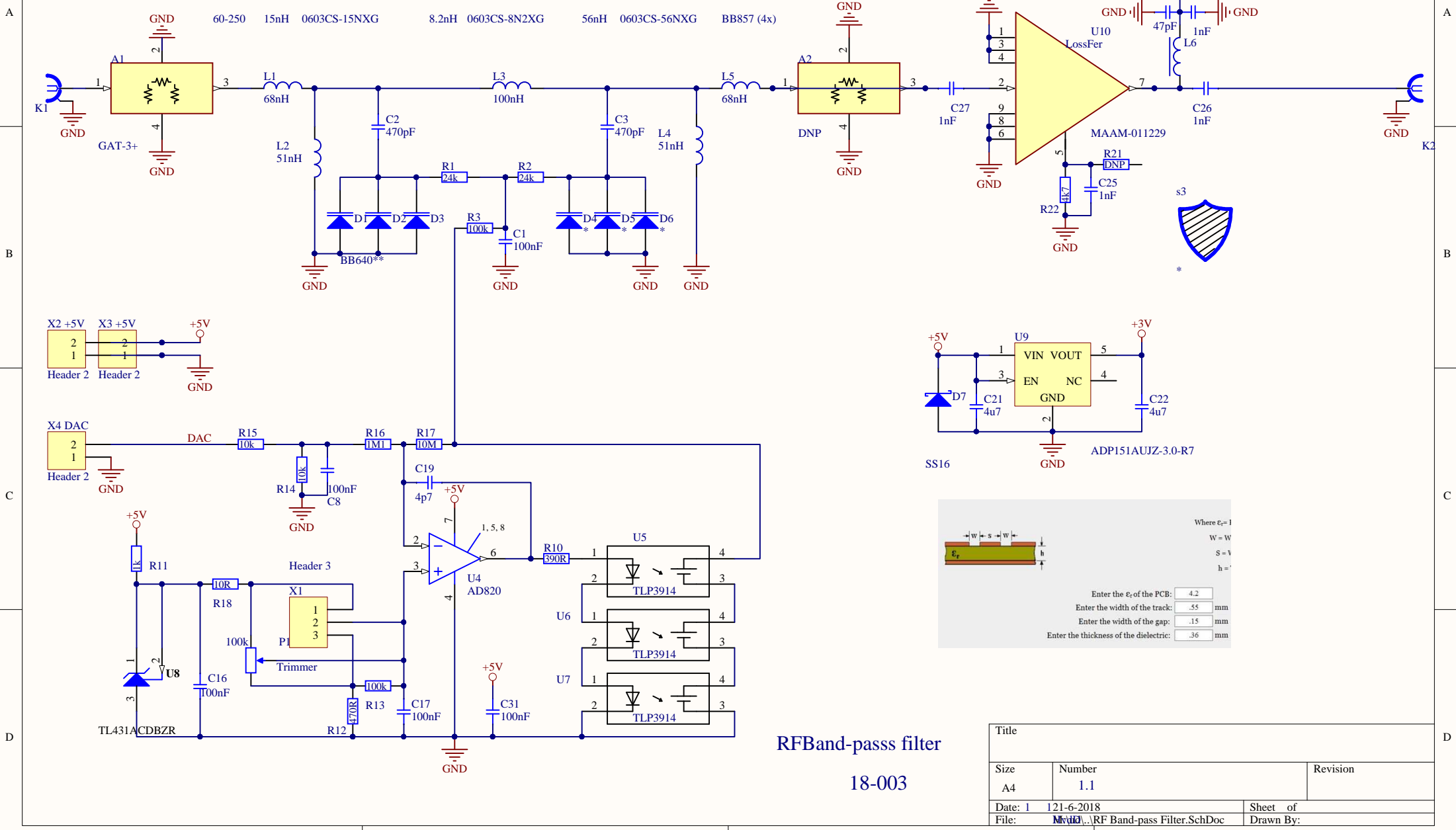


F(MHz)	L1,L5 Part nr	L2,L4 Part nr	L3 Part nr	D1-D6
60-250	68nH 0603CS-68NXG	51nH 0603CS-51NXG	100nH 0603CS-R10XG	BB640 (6x)
60-250	33nH 0603CS-33NXG	18nH 0603CS-18NXG	82nH 0603CS-82NXG	BB545 (4x)
60-250	15nH 0603CS-15NXG	8.2nH 0603CS-8N2XG	56nH 0603CS-56NXG	BB857 (4x)



Where $\epsilon_r = 1$

W = W
S = S
h = h

Enter the ϵ_r of the PCB:

Enter the width of the track: mm

Enter the width of the gap: mm

Enter the thickness of the dielectric: mm

RF Band-pass filter
18-003

Title		
Size	Number	Revision
A4	1.1	
Date: 1	121-6-2018	Sheet of
File:	M:\td\RF Band-pass Filter.SchDoc	Drawn By: